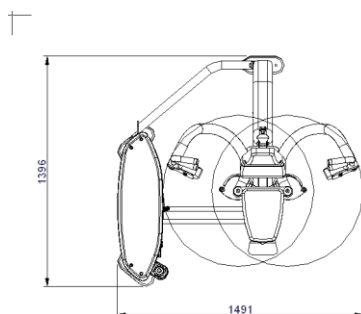


MPD700 Pec Fly Machine



Console Features:

- A. Personal Coach Function.
- B. Auto Detecting (weight/resistance).
- C. Auto counting.
- D. Auto operation without setting.
- E. Personal program provided.
- F. Display:
 - . a. Training Time
 - . b. Calorie
 - . c. Goal
 - . d. Accumulated Data
 - . e. Counting Down Data





MPD700 Pec Fly Machine

The MegaPower Pec Machine features uniquely designed articulating pec arms to provide optimal; pectoral and rear deltoid development and has independent range of motion adjustments to accommodate users of all sizes.

With gracefully curved frames constructed from sleek, power-coated tubing that exhibits a modern, design-forward aesthetic, the MegaPower Pec Machine builds form into function and value into a superior modular strength training system.

SPECIFICATIONS

- A. Mainframe: 11 Gauge 1.968" X 5.905" oval tubing (50 x 150 x 3mm)
- B. Upholstery (B/R): CGPC 2"high density foam (ergonomic design)
 - 
 - 
- C. Belt: Tensile strength more than 5,027 Lb. (2,280 Kg)
- D. Shroud: 4T delicate safety cover
- E. Product Weight: 570lbs/259kg(include 210 Lb Stack)
- F. Weight Stack: High-quality weight plates for smooth and durable operation.
 - Standard Weight Stack: 210 Lb. (95.34 kg)
 - a. Optional: 310 Lb. (140.74kg)
 - b. Optional: 410 Lb. (186.14kg)
- G. Dimension: L x W x H, 55" x 57.5" x 65.5" (1491mm x 1396mm x 1665mm)